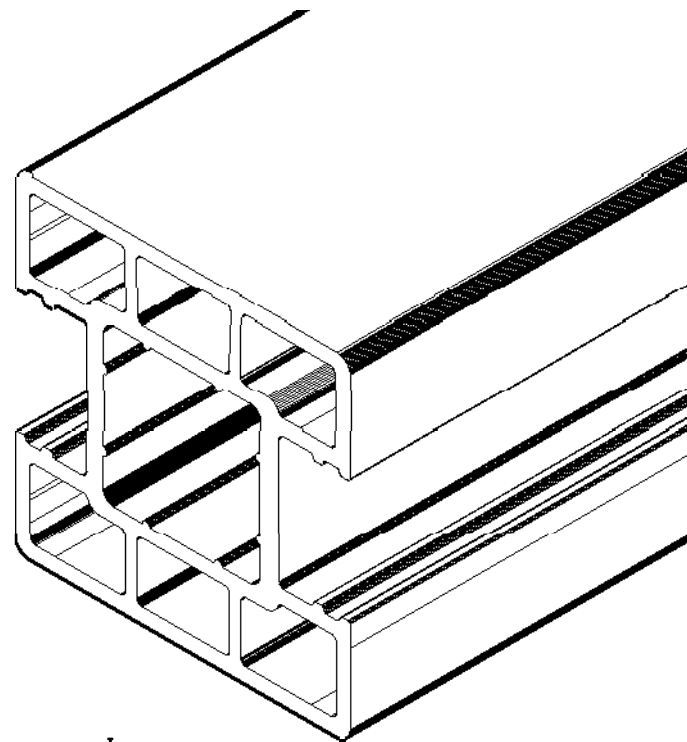


Section
Scale 1:2



Iso

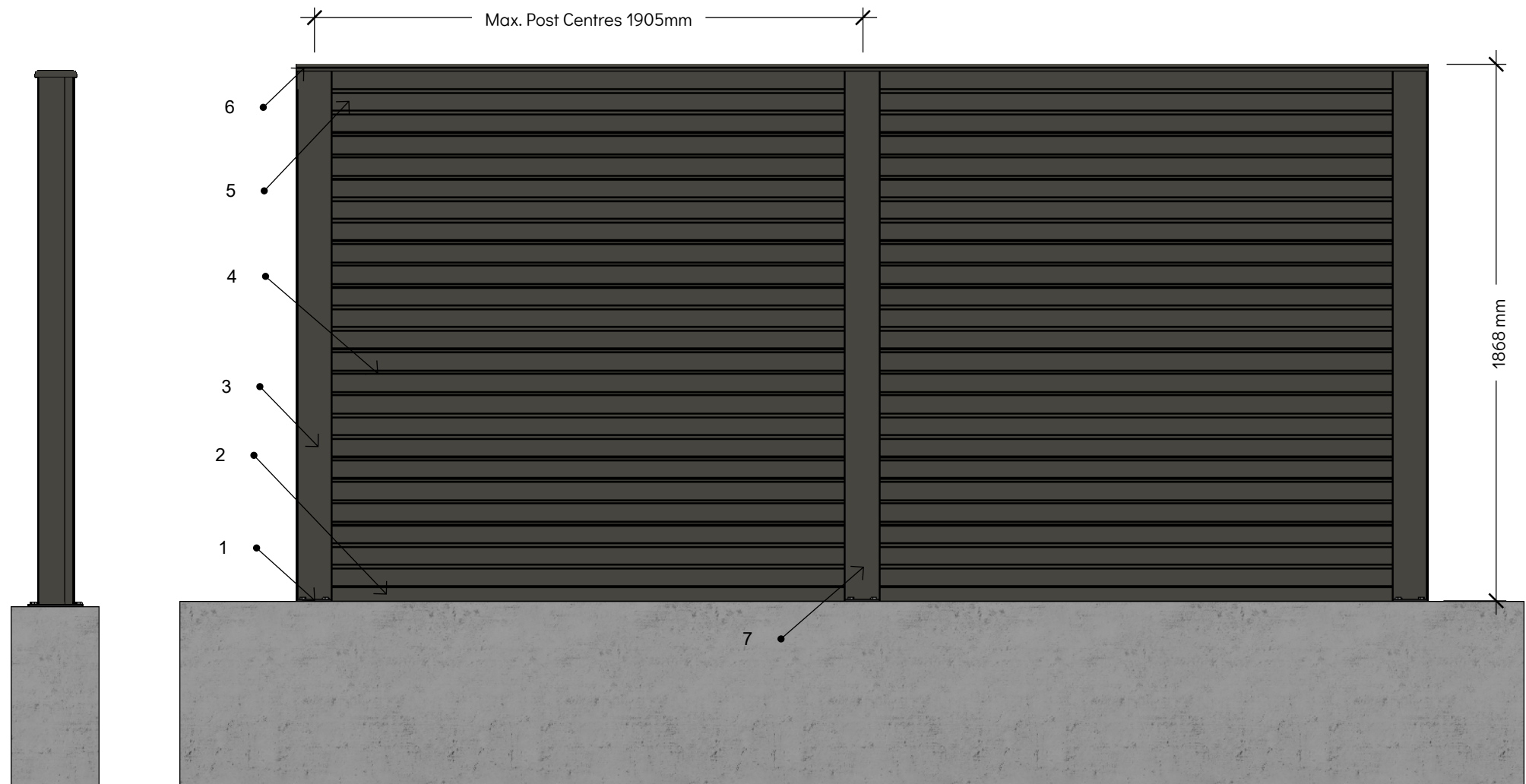
BM Architectural Fence Composite Intermediate Post

Material: Wood Plastic Composite

Finish: Brushed

Product Variants:

	Charcoal	Graphite	Walnut
1940mm	413125125194-CB	413125125194-GR	413125125194-WN
3000mm	413125125300-CB	413125125300-GR	413125125300-WN

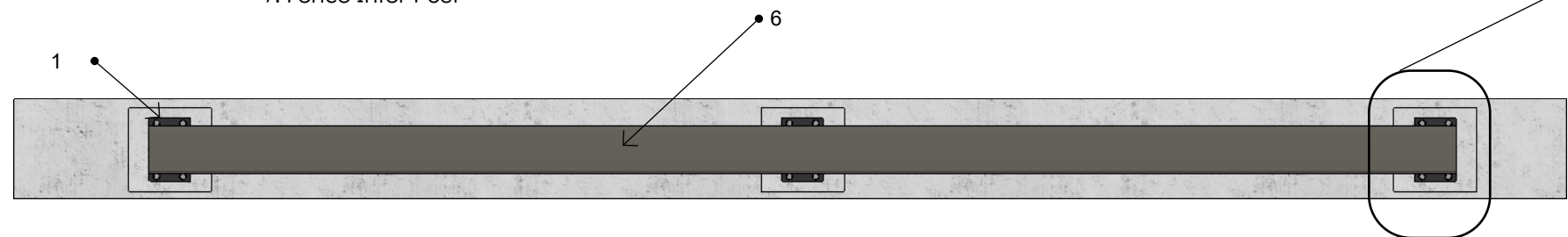


Side View

Front View

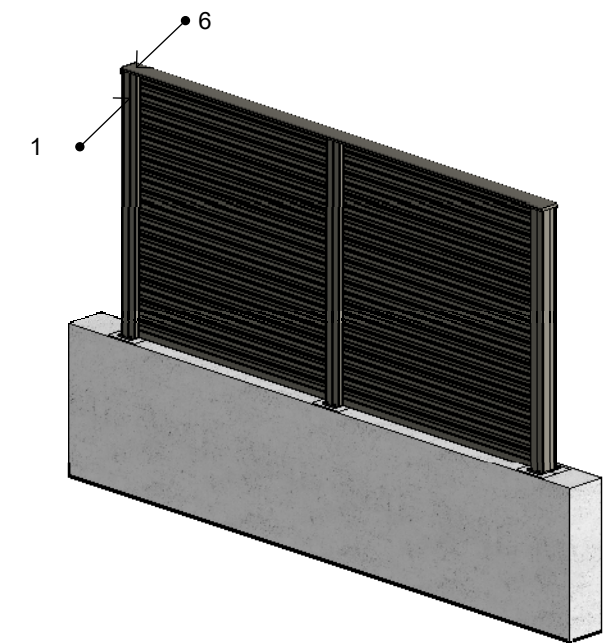
Key

- 1: Fence End Post
- 2: Aluminium Bottom Rail
- 3: Fence Board
- 4: Fence End Post
- 5: Fence Top Board
- 6: Fence Full Top Cap / Fence Post Capping Board
- 7: Fence Inter Post

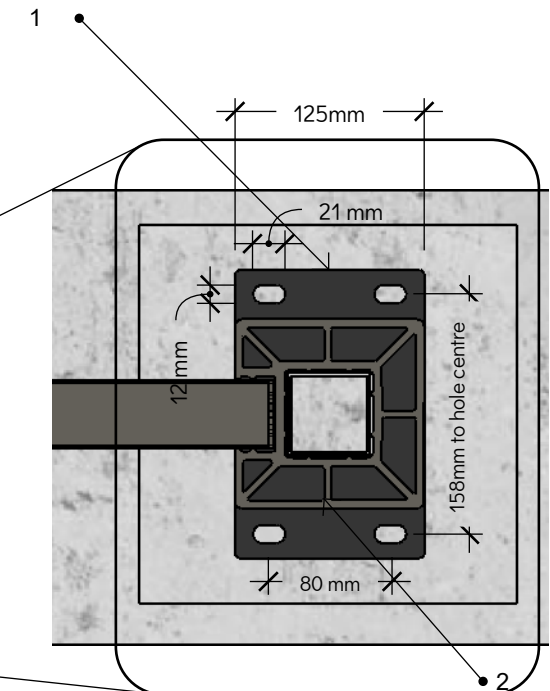


Plan View

Scale: 1:20



Iso View
Scale: 1:50



Bolt Down Support Detail
(capping rail + bolts hidden)
Scale 1:5

Division
Fencing
Range
EazyFence
Item
Fence Board

Title
413125125
Scale
As Shown @ A3

Description
Composite Inter Fence Post

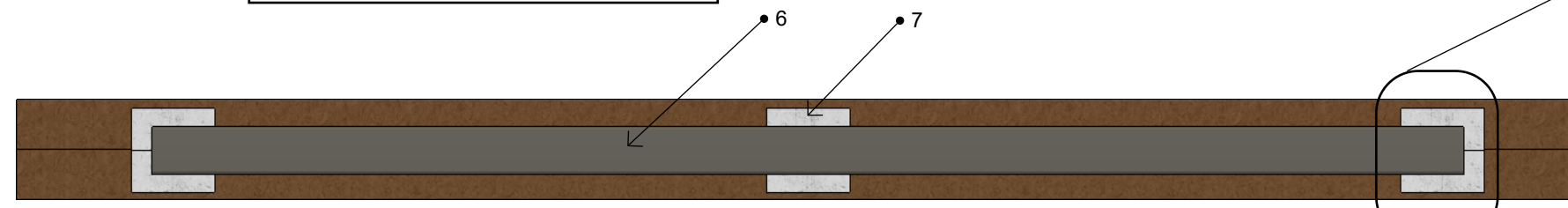
Issued
24/03/22
Revision
1
Sheet
2/4



Side View

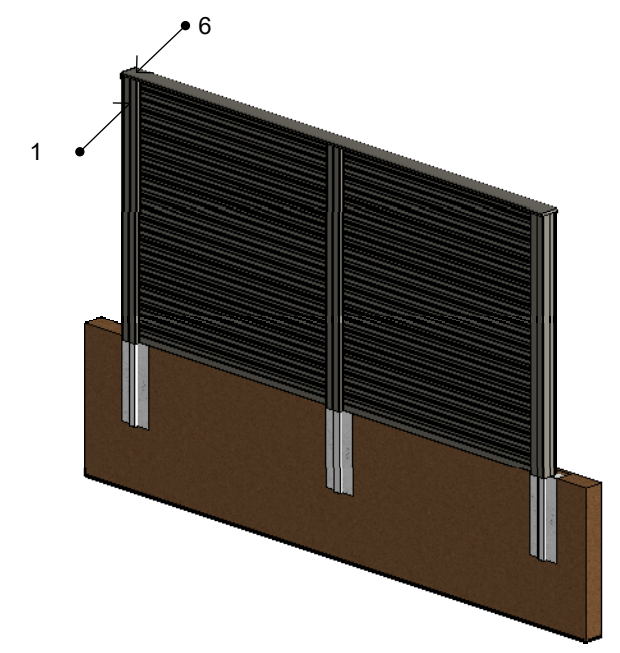
Front View
(With section through
foundation)

- Key
- 1: Fence Post Steel Insert
 - 2: Aluminium Bottom Rail
 - 3: Fence Board
 - 4: Fence End Post
 - 5: Fence Top Board
 - 6: Fence Full Top Cap / Fence Post Capping Board
 - 7: Fence Inter Post
 - 8: Concrete Footing

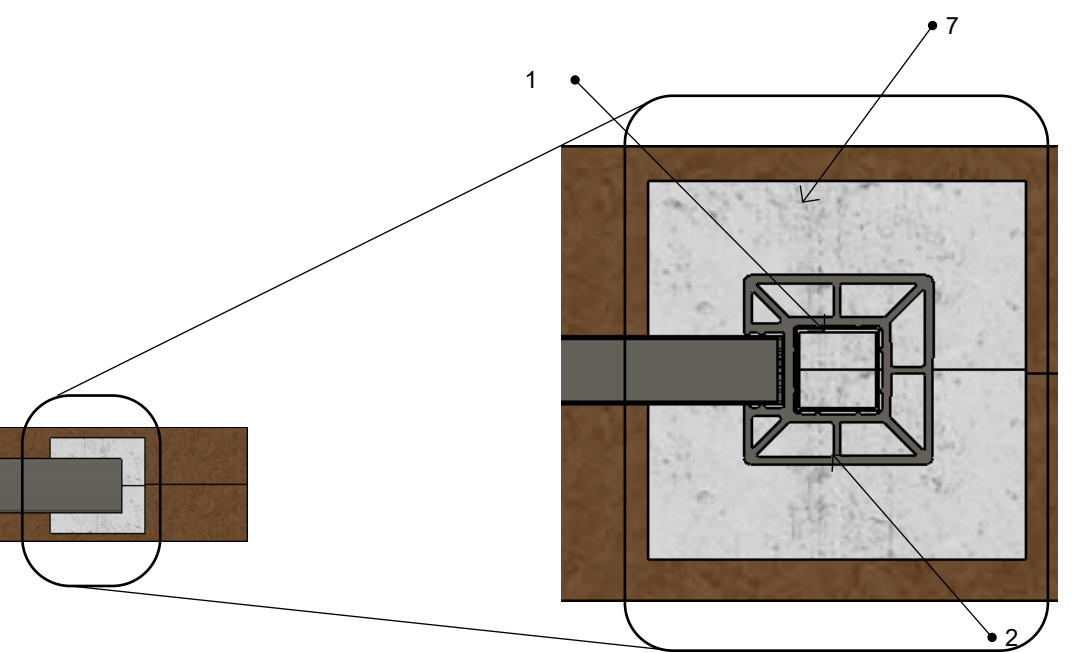


Plan View

Scale: 1:20



Iso View
Scale: 1:50



Bolt Down Support Detail
(capping rail hidden)
Scale 1:5

<p>Division Fencing</p> <p>Range EazyFence</p> <p>Item Fence Board</p>	<p>Title 413125125</p> <p>Scale As Shown @ A3</p>	<p>Description Composite Inter Fence Post</p>	<p>Issued 24/03/22</p> <p>Revision 1</p> <p>Sheet 3/4</p>
---	---	--	--

Assembled Fence Heights: 4ft; 5ft; 6ft

"4 Foot" Fence:

Qty	Component	Assembled Height	Component Total Height
1no.	Fence Bottom Rail	45mm	45mm
7no.	Fence Panel	150mm	1050mm
1no.	Top Fence Panel	140mm	140mm
Fence Height (excluding post & caps)			1235mm

"5 Foot" Fence:

Qty	Component	Assembled Height	Component Total Height
1no.	Fence Bottom Rail	50mm	45mm
9no.	Fence Panel	150mm	1350mm
1no.	Top Fence Panel	140mm	140mm
Fence Height (excluding post & caps)			1535mm

"6 Foot" Fence:

Qty	Component	Assembled Height	Component Total Height
1no.	Fence Bottom Rail	45mm	45mm
11no.	Fence Panel	150mm	1650mm
1no.	Top Fence Panel	140mm	140mm
Fence Height (excluding post & caps)			1835mm

