



# STEEL SAFETY PRODUCTS

BS 1387 Tube  
Open Mesh Flooring  
Gates & Ladders  
Stairtreads



[www.bmsteel.co.uk](http://www.bmsteel.co.uk)  
A Stemcor group company.

# Barclay & Mathieson Ltd

## Barclay & Mathieson

Cloverhill Road  
Bridge of Don Industrial Estate  
**ABERDEEN** AB23 8EE  
T: 01224 702771 F: 01224 826227  
E: aberdeen@bmsteel.co.uk

## Barclay & Mathieson

Bangor Station Yard  
Caernarfon Road  
**BANGOR**, Gwynedd LL57 2TX  
T: 01248 364041 F: 01248 353100  
E: bangor@bmsteel.co.uk

## Barclay & Mathieson

Building A, Coppice Side Industrial  
Estate, West Coppice Road  
**BROWNHILLS** WS8 7EX  
T: 01543 360710 F: 01543 361642  
E: brownhills@bmsteel.co.uk

## Barclay & Mathieson

Duke Avenue, Stanley Green  
Industrial Estate, Cheadle Hulme  
**CHESHIRE** SK8 6QZ  
T: 0161 485 8535 F: 0161 485 7804  
E: cheadle@bmsteel.co.uk

## Barclay & Mathieson

Unit 1 Eaton Avenue, Matrix Park  
Buckshaw Village  
**CHORLEY** PR7 7NA  
T: 01772 459111 F: 01772 459222  
E: chorley@bmsteel.co.uk

## Barclay & Mathieson

Shieldhall Works, Hardgate Road  
**GLASGOW** G51 4TB  
T: 0141 445 2591 F: 0141 445 6964  
E: glasgow@bmsteel.co.uk

## Barclay & Mathieson

Corrie Lodge Business Centre  
Millburn Road  
**INVERNESS** IV2 3TP  
T: 01463 232905 F: 01463 711529  
E: inverness@bmsteel.co.uk

## Barclay & Mathieson

Byng Street/Seymour Street  
Bootle  
**LIVERPOOL** L20 1EE  
T: 0151 922 4265 F: 0151 922 0400  
E: liverpool@bmsteel.co.uk

## Barclay & Mathieson

2A Southgate  
White Lund Industrial Estate  
**MORECAMBE** LA3 3PB  
T: 01524 67241 F: 01524 382641  
E: morecambe@bmsteel.co.uk

## Barclay & Mathieson

Basford Works, Arnold Road,  
**NOTTINGHAM** NG6 0EF  
T: 0115 970 1171 F: 0115 942 2181  
E: nottingham@bmsteel.co.uk

## Barclay & Mathieson

Oxney Road, Eastern Industry,  
**PETERBOROUGH** PE1 5YW  
T: 01733 312921 F: 01733 343386  
E: peterborough@bmsteel.co.uk

## Barclay & Mathieson

Coleford Road, Darnall,  
**SHEFFIELD** S9 5NF  
T: 0114 244 2094 F: 0114 243 5965  
E: sheffield@bmsteel.co.uk

## Barclay & Mathieson

Unit 30, Moorside Road  
**WINCHESTER** SQ23 7SS  
T: 01962 855716 F: 01962 850442  
E: winchester@bmsteel.co.uk



Barclay & Mathieson (B+M) is a nationwide steel stockholder offering fast and friendly service. Part of Stemcor, the world's largest independent steel trader, we hold extensive ranges of stock and have the purchasing power to ensure that our prices are extremely competitive. Whether you are a multi-national engineering group or a DIY enthusiast, we can satisfy most requirements with same or next day delivery.

# BS 1387 TUBE

## BS 1387 TUBE AND OPEN MESH FLOORING

TUBE CLAMP SIZE	METRIC NB	IMPERIAL NB	METRIC OD
AVAILABLE IN SELF COLOUR, GALVANISED, PRIMER PAINTED AND VARNISHED FINISHES			
A27	20NB	3/4" NB	26.9 OD
B34	25NB	1" NB	33.7 OD
C42	32NB	1.1/4" NB	42.4 OD
D48	40NB	1.1/2" NB	48.3 OD
E60	50NB	2" NB	60.3 OD
	65NB	2.1/2" NB	76.1 OD
	75NB	3" NB	88.9 OD
	100NB	4" NB	114.3 OD
	125NB	5" NB	139.7 OD
	150NB	6" NB	168.3 OD

Please note we also carry a range of weldable elbows to suit.



# OPEN MESH FLOORING

BEARER BAR	WEIGHT IN KG/M <sup>2</sup>		MAXIMUM CLEAR SPAN IN MM					
	30/100	40/100	3kN/M <sup>2</sup>		5kN/M <sup>2</sup>		7.5kN/M <sup>2</sup>	
	Narrow	Standard	Narrow	Standard	Narrow	Standard	Narrow	Standard
20 x 3	-	15.0	-	890	-	890	-	800
25 x 3	20.5	17.5	1450	1240	1275	1150	1110	1000
25 x 5	33.4	28.5	1790	1540	1510	1360	1320	1190
30 x 3	24.0	20.6	1815	1560	1535	1385	1340	1200
30 x 5	39.5	33.6	2010	1940	1815	1640	1580	1430
35 x 3	-	29.7	-	1910	-	1615	-	1410
35 x 5	-	39.0	-	2200	-	1915	-	1670
40 x 3	-	26.7	-	2140	-	1845	-	1610
40 x 5	-	43.6	-	2310	-	2140	-	1910

The table above shows the typical clear spans that will give a deflection of less than 10mm or 1/200th of the span as defined in BS 4592 and BS 5950 when subject to the uniformly distributed loads shown below. These figures are given for guidance only.

Clear span is the unsupported distance between the supporting steelwork. Allow at least 30mm support on either side.

For galvanised weights add 8%. Available in Self colour and Galvanised finishes.

Please note we also stock a comprehensive range of Weldmesh panels, Perforated Sheets & Plates, and Expanded Metal.

Please contact your local sales office for details.

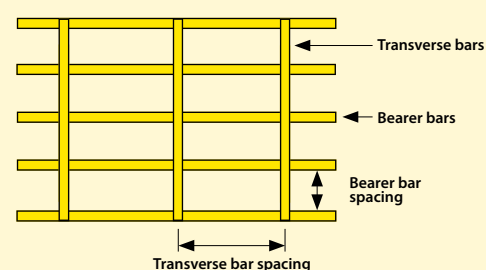
We stock Open Mesh Flooring in the sizes shown below:

- Full 6m x 1m mats
- Cut to size for you to fabricate
- Fully fabricated to your drawings
- A number of other sizes can be supplied to order
- Flooring clips (see tube fittings type 310)
- Stair treads complete with anti-slip nosing and side plates

Flooring can be supplied in a number of configurations:

**Standard:** bearer bar spacing is 41mm with the transverse bars at 100mm

**Narrow:** bearer bar spacing is 33mm with the transverse bars at 100mm



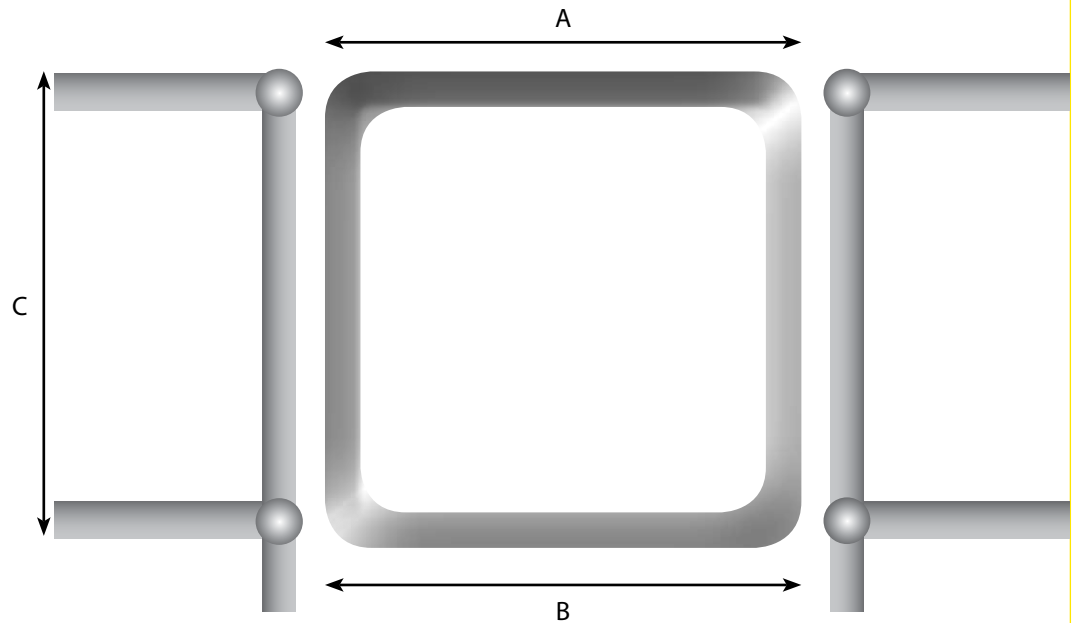
LOAD	APPLICATION
3kN/M <sup>2</sup>	Access limited to 1 person
5kN/M <sup>2</sup>	Two way pedestrian traffic
7kN/M <sup>2</sup>	High density pedestrian traffic

# GATES & LADDERS

## GATES & LADDERS / STAIRTREADS

We can offer a range of tubular self closing gates to complement our handrail system.

Gates can be fully fabricated to suit your size and application.



We offer gates ex stock in the dimensions as shown below

### GATE DIMENSIONS

A	778 (mm)
B	778 (mm)
C	550 (mm)



### EX STOCK ITEMS

800 x 288 galv 25 x 5 41/100 treads

1000 x 288 galv 25 x 5 41/100 treads

750 x 247 galv 25 x 5 41/100 treads

1000 x 247 self colour 25 x 5 41/100 treads with one end plate supplied loose so the tread can be cut and the plate then welded on.

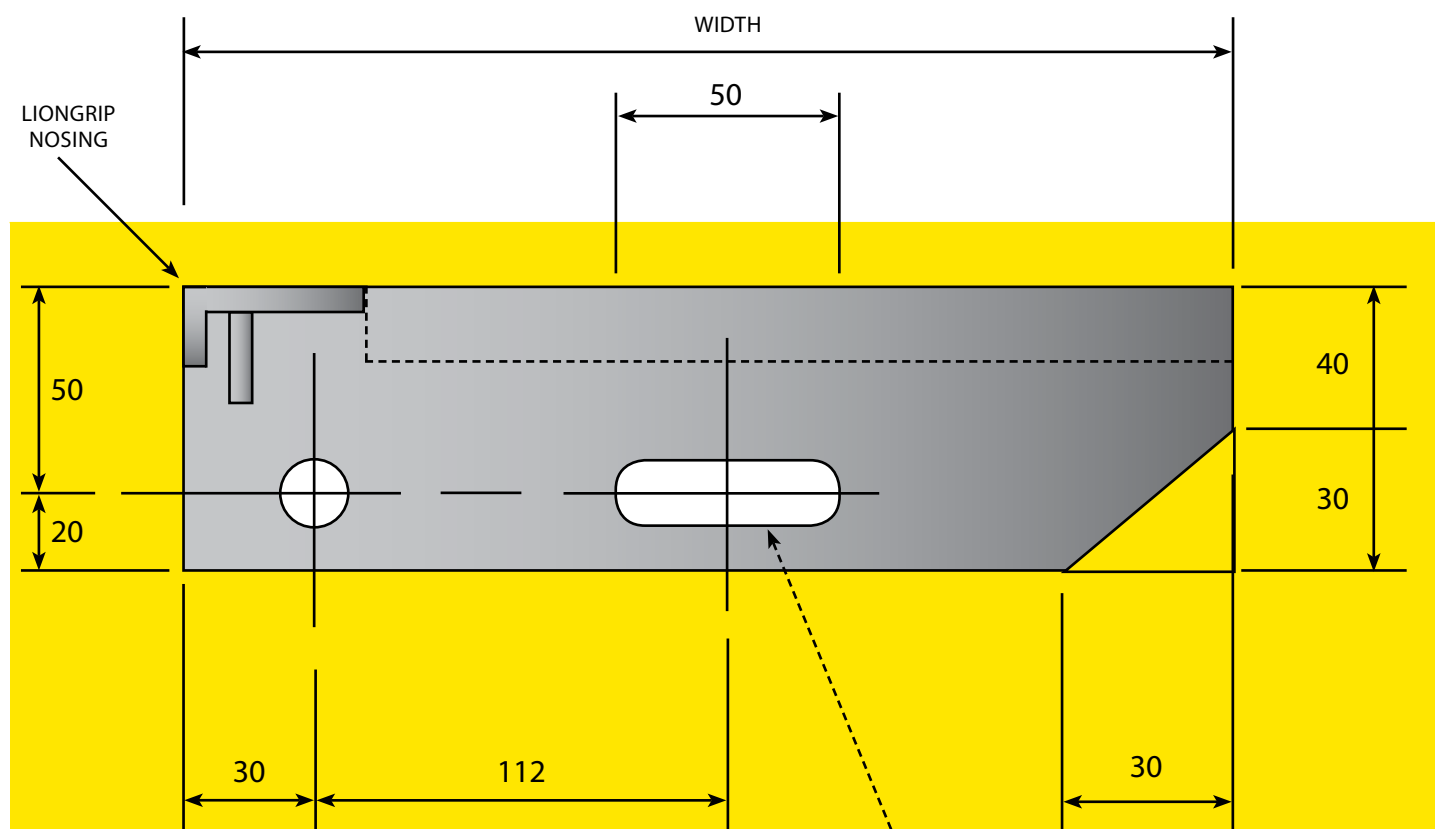
# STAIRTREADS

## STANDARD DRILLED END PLATE

Stair treads are fitted with drilled end plates to allow them to be bolted to the supporting stinger. The drilled hole positions have been standardised across the whole range of treads. Alternative drillings are available on request.

The end plate drilling consists of one fixed and one slotted hole to allow flexibility during installation.

The below sketch shows the standard end plate details.



### NOTE:

Tread depth of 40mm and above will have 80mm deep end plates with drillings 60mm down from the top of the tread.

All end plates are 5mm thick.

15 HOLES (REAR SLOTTED)

# Q CLAMP VARIATIONS

FAST CLAMP	ALVIN	KEEKLAMP	Q CLAMP
C03	A2	10	101
C04	A4	25	104
C21	A20	21	116
C22	A22	26	119
C05	A7	55-8	124
C02	A6	15	125
C27	A25	28	126
C26	A50	27	127
C20	A18	20	128
C29	A3	29	129
C28	A23	30	130
C11	A10	61	131
C12	A12	62	132
C65	A68	84	133
C17	A17	66	134
C41	A32	16	135
C31	A60	78	138
C32	A62	83	140
C16	A34	70	143
C13	A14	64	144
C14	A16	65	145
C15	A15	68	146
C06	A31	114	147
C25	A21	19	148
C00	A8	14	149
C01	A9	17	150
C24	A26	40	158
C42	N/A	18	160
C40	A28	45	161
C43	A30	46	165
C47	A46	C51	167
C37	A38	M51	167M
C48	A48	C52	168
C38	A40	M52	168M
C46	A52	C58	169
C10	A50	M58	169M
C66	A70	81	170
C67	A72	82	171
C45	A44	C50	173
C35	A36	M50	173M
C36	A42	F50	173F
C23	A24	35	176
C30	A58	75	179
C33	A64	76	182
C68	A67	71	192
	G02		153
	G04		155
	G06		154
	G12		152
	G22		156



BARCLAY & MATHIESON LTD  
COLEFORD ROAD  
SHEFFIELD S9 5N  
SALES 0114 244 20  
RY 0114 243 559  
www.barclaymathieson.co.uk

**BARCLAY & MATHIESON LTD**

**DAF**

**CF**